

FOR INFORMATION ONLY
NOT FOR MANUFACTURING

DATE:
5/29/2013

DRAWN BY:
MPM

CHK'D BY:
RS

TOLERANCES:
(EXCEPT AS NOTED)

X.XXX = ± 0.005

X.XX = ± 0.01

X X/X = ± 1/64

ANGULAR: ± 0.5°

No.	REVISIONS	DATE	APPD



37 IRONIA ROAD
FLANDERS NJ 07836
(973) 598-1150
Fax: 598-1151

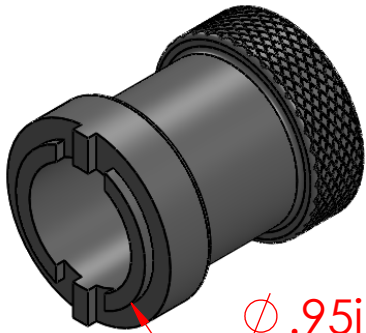
HAAS PN# OW-25-G6

SPECIFICATIONS SUBJECT TO CHANGE WITHOUT
NOTICE. CONTACT HAAS LTI FOR MORE INFORMATION.

OW-25-G6
CUSTOMER DIMENSIONAL DRAWING

BOM#
NA

SCALE: 1:1



\varnothing .95in
[24.1mm]